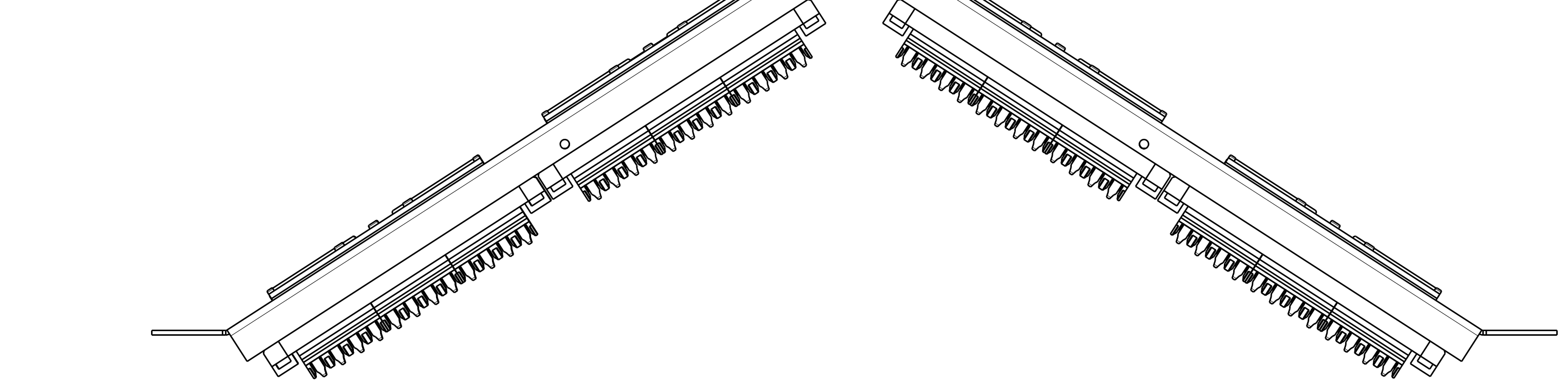
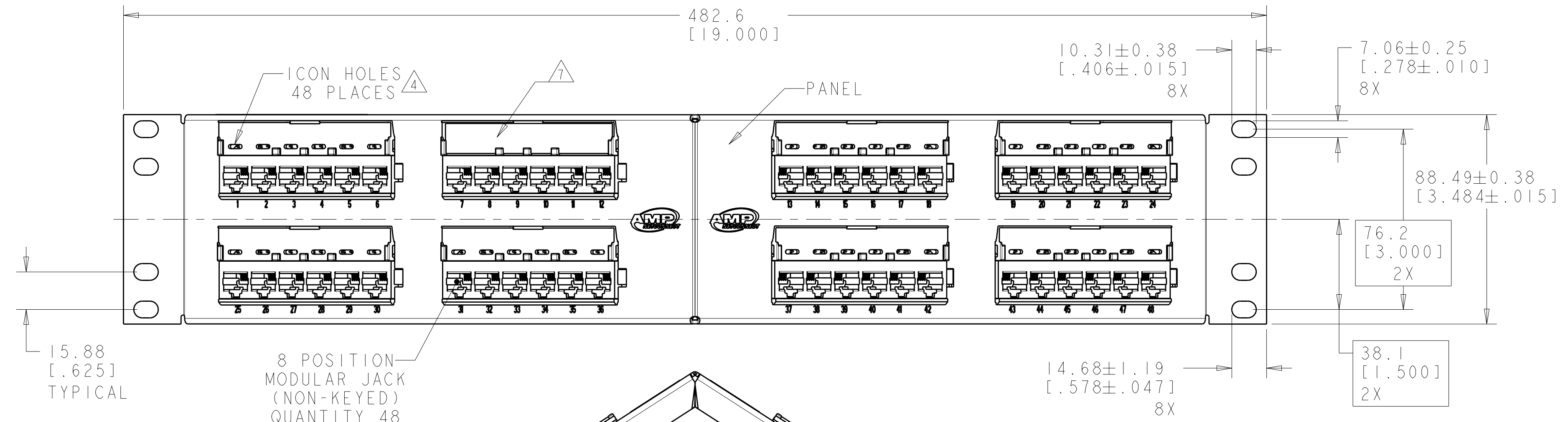
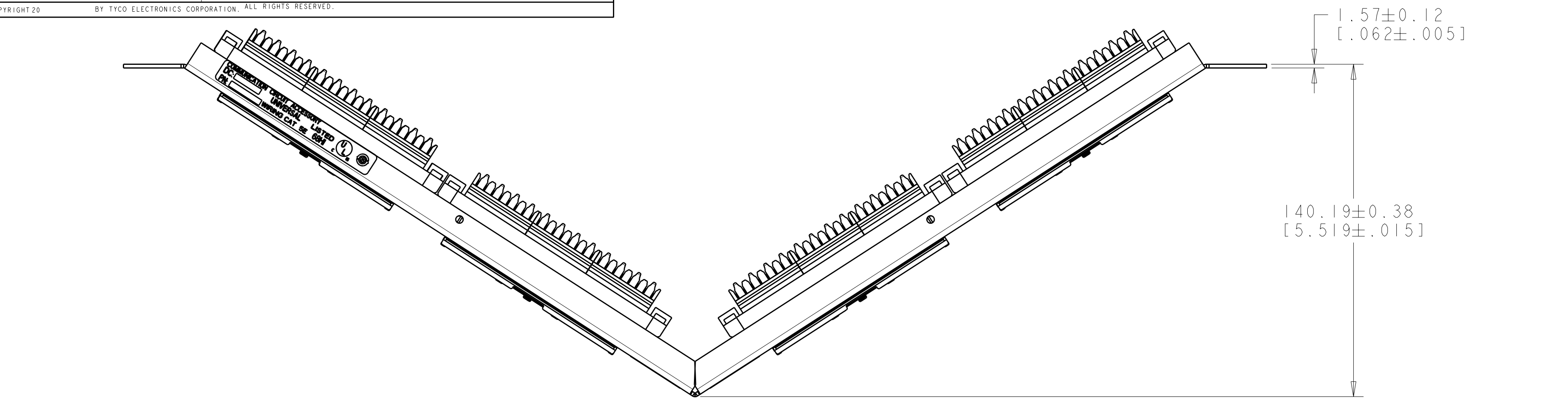
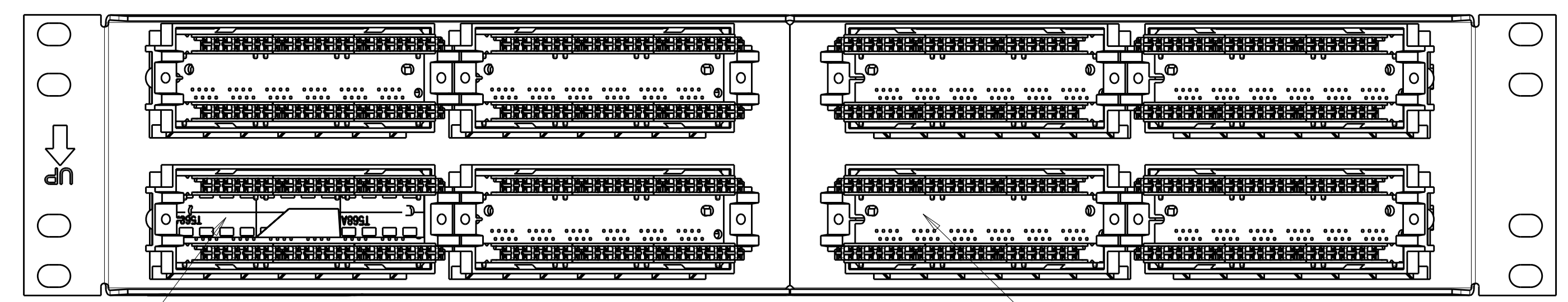


LOC	DIST	REVISIONS				
HM	00	REV	DESCRIPTION	DATE	DWN	APVD
		A	NSD05-055	05APR2005	JM	SH
		B	REV: ECO-08-012437	30JUNE2008	JB	SH

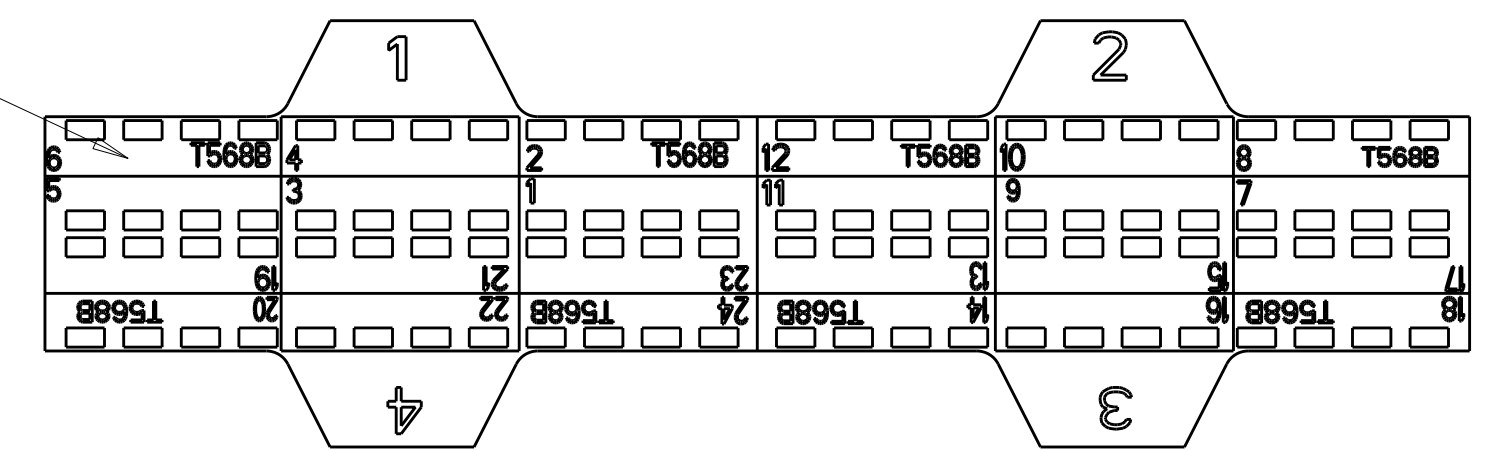
- 1 MATERIAL: 24 PORT PANEL - BLACK POWDER COAT, CARBON STEEL WITH WHITE MARKINGS. PC BOARD - COPPER CLAD LAMINATED SUBSTRATE. MOD JACKS AND INTERFACE HOUSINGS - BLACK POLYESTER.
- 2 DIMENSIONS ARE NOMINAL UNLESS OTHERWISE SPECIFIED.
- 3 EIGHT WIRE TIES USED FOR CABLE ORGANIZATION/ROUTING ARE SHIPPED LOOSE AND NOT SHOWN DRAWING.
- 4 ICONS MAY BE PURCHASED SEPERATELY.
- 5 TWO SHEETS OF FOUR PER SHEET 110 CONNECTOR UNIVERSAL WIRING LABELS ARE SHIPPED LOOSE. ONE SIDE IS FOR T568A WIRING AND THE OPPOSITE SIDE FOR T568B WIRING. ONE LABEL SHOWN INSTALLED AT LOCATION INDICATED.
- 6 MOUNTING HARDWARE INCLUDED EACH ASSEMBLY: FOUR, 10-32 X.50 TRILOBULAR SCREWS W/ CAPTIVE STARWASHER. FOUR, 12-24 X.50 TRILOBULAR SCREWS W/ CAPTIVE STARWASHER.
- 7 ONE SHEET OF BEZEL LABELS AND TWO SHEETS OF CLEAR LABEL COVERS ARE SHIPPED LOOSE. ONE LABEL SHOWN INSTALLED AT LOCATION INDICATED.



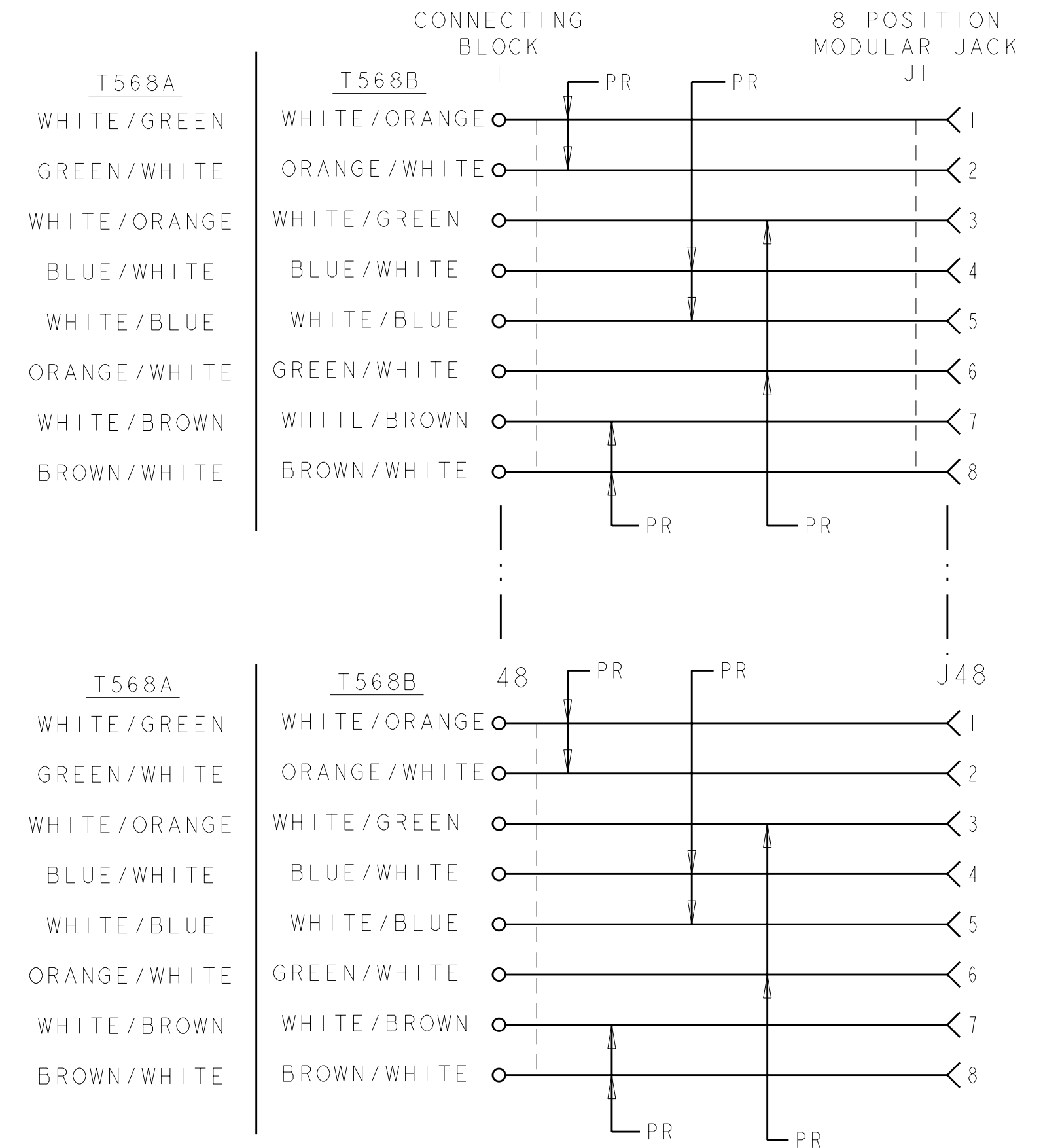
CONNECTOR BLOCK ASSEMBLY  
48 PLACES



PRINTED CIRCUIT BOARD ASSEMBLY  
QUANTITY 8



T568B SIDE  
110 CONNECTOR UNIVERSAL  
WIRING LABELS



ELECTRICAL SCHEMATIC  
T568A OR T568B WIRING

1499605-1  
PART NUMBER

DIMENSIONS: [MM] [INCHES] TOLERANCES UNLESS OTHERWISE SPECIFIED: 9 PLC ± .1 1 PLC ± .1 5 PLC ± .1 4 PLC ± .1 ANGLES ± .1 FINISH ± .1		DWN J. MCNEAL 05APR2005 CHK L. SMITH 05APR2005 APVD S. HERNDON 05APR2005 PRODUCT SPEC APPLICATION SPEC WEIGHT CUSTOMER DRAWING	Tyco Electronics Harrisburg, PA 17105-3608 NAME: ANGLED PANEL ASSEMBLY, 2U, 48 PORT, CATEGORY 5E SIZE: A CAGE CODE: 00779 DRAWING NO: 1499605 SCALE: 3:4 SHEET: 1 OF 1 REV: B
---	--	--	---